



10 ports full gigabit managed Industrial PoE Switch CSIL2-0802Pi series

❖ Overview

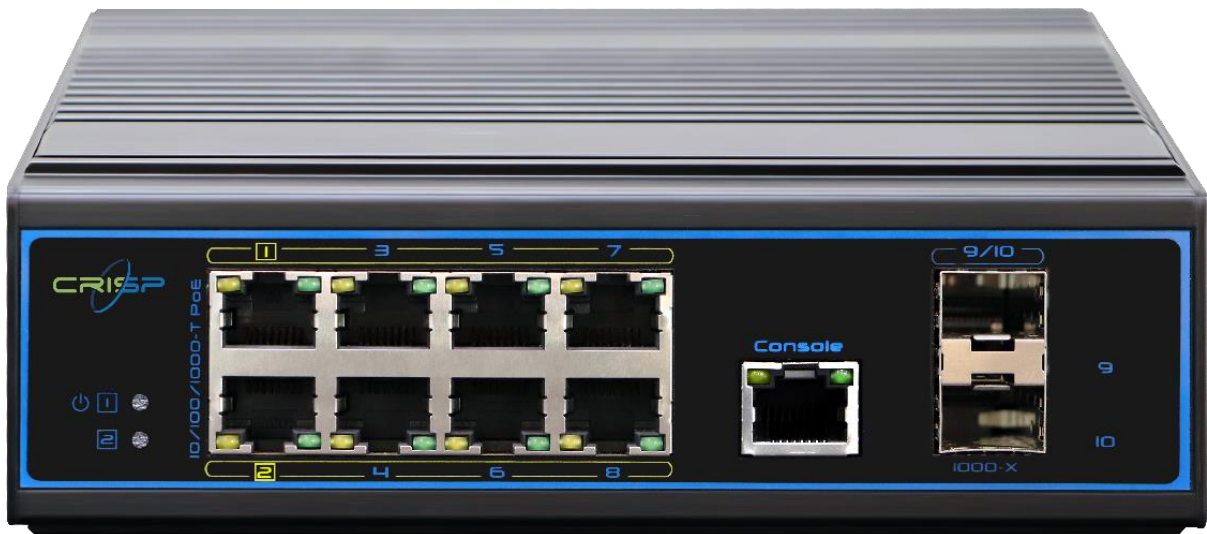
CSIL2-0802Pi is a 10-port full gigabit industrial managed PoE switch that supports up to 8*10/100/1000M PoE downlink ports, 2* 1000M SFP ports. 8*10/100/1000M ports support PoE+, conforming to IEEE 802.3af/at standard, support 2 port PoE power each up to 90W, 6 port PoE power each up to 30W.

It supports L2 management, such as QoS, VLAN, MSTP, Multi-broadcast, ports management and PoE management.

It supports 6KV surge protection, 8KV contact/15KV air ESD protection.

It supports wall hanging, desktop and Din-rail installation, reliable and durable, and can be used in security network video monitoring, network engineering and other occasions.

❖ Picture



❖ Features

- ❖ With 8*10/100/1000M PoE downlink ports, 2*1000M SFP ports, with L2 network management;
- ❖ Support 2 port PoE power each up to 90W, 6 port PoE power each up to 30W;
- ❖ Support L2 management, such as QoS, VLAN, MSTP, Multi-broadcast, ports management and PoE management;
- ❖ 6KV surge protection, 8KV contact /15KV air ESD protection;
- ❖ Support working temperature -40°C ~ 75°C.



10 ports full gigabit managed Industrial PoE Switch CSIL2-0802Pi series

❖ Specifications

Parameter	Specifications
Power supply	Powered by power adaptor
Range of voltage	DC 48~57V
Consumption	Self consumption<20W
Downlink ports	Ports 1~2 10/100/1000Base-T 90W PoE RJ45(IEEE802.3bt,also support IEEE 802.3af/at) 3~8 10/100/1000Base-T 30W PoE RJ45(IEEE 802.3af/at)
Uplink ports	Ports 9~10 1000M SFP slots
Cable and distance	Use cat5e/6,100m max
Standard	IEEE802.3, IEEE802.3u, IEEE802.3z
Switch fabric	20Gbps
Though put	14.88Mpps
Buffer	1M
MAC address table	8K
Indicator	Power: 2 *red ; Uplink 9~10: green LEDs indicate Link/Act Downlink 1~8: On RJ45 green LEDs indicate Link/Act, yellow LEDs indicate PoE
Protection	Surge: 6KV, standard: IEC61000-4-5 ESD: 8KV: contact/15KV: air, standard:IEC61000-4-2
Working temperature	-40℃~75℃
Storage temperature	-40℃~85℃
Humidity	0~95%(No condensation)
Dimension(L×W×H)	165 mm×115 mm×50mm
Material	Aluminum
Colour	Black
Net-weight	500g

L2 Features	Port configuration	Auto-negotiation
		Flow Control
		Port Mirror



10 ports full gigabit managed Industrial PoE Switch CSIL2-0802Pi series

		Traffic statistics
	Link Aggregation	Static link aggregation
		LACP
		Algorithm based on Source/Destination MAC
		Algorithm based on Source/Destination IP
		8 groups
		8 ports per group
	MAC Table	Aging Time
		Static MAC address
		Dynamic MAC address management
	VLAN	4K Active VLANs
		4K VID
		802.1Q Tag VLAN
		Port VLAN
		Protocol VLAN
		MAC VLAN
		Management VLAN
		Voice VLAN
		Q-in-Q
		Private VLAN
		GARP/GVRP
		ACL
	L2, L3 e L4	
	Time-based ACL	
	Spanning tree	802.1D Spanning Tree Protocol (STP)
		802.1w Rapid Spanning Tree Protocol (RSTP)
		802.1s Multiple Spanning Tree Protocol (MSTP)
		Loop Guard
		Root Guard
		TC-BPDU Guard
		BPDU Guard
		BPDU Filter
	Multicast	256 groups
		IGMP v1/v2/v3



10 ports full gigabit managed Industrial PoE Switch CSIL2-0802Pi series

		Fast Leave
		Multicast VLAN
		Static Multicast
		Multicast Filter
		IGMP Statistics
		MLD Snooping
	PoE management	Support total power consumption control
		Support single port PoE ON/OFF
		Support port output priority
	QOS	4 priority queues
		CoS port-based
		CoS 802.1p-based
		CoS DSCP-based
Scheduling algorithms SP, WRR, SP+WRR		
Storm Control (Broadcast, Multicast, Unknown Unicast)		
	Bandwidth control per port	
Security Features	Port Security	
	MAC address filter	
	ARP Association (Manual, ARP scanning, DHCP snooping) up to 200 entries	
	ARP Protection	
	DoS (Denial of Service)	
	Classification of packages based on: End.MAC, IP End, TCP / UDP Ports, Protocol Type	
	802.1x Autentication (port-based e MAC-based)	
	TACACS/TACACS+ Autentication	
	RADIUS Autentication	
	DHCP Filter	
	Guest VLAN	
	SSLv2/SSLv3/TLSv1	
	SSHv1/SSHv2	
	Restriction of WEB access based on: IP Address, And. MAC and Port	
	Port Isolation	
Local User Name Password Authentication (2 levels)		
Loopback detection		
Management	SNMP v1/v2c/v3	



10 ports full gigabit managed Industrial PoE Switch CSIL2-0802Pi series

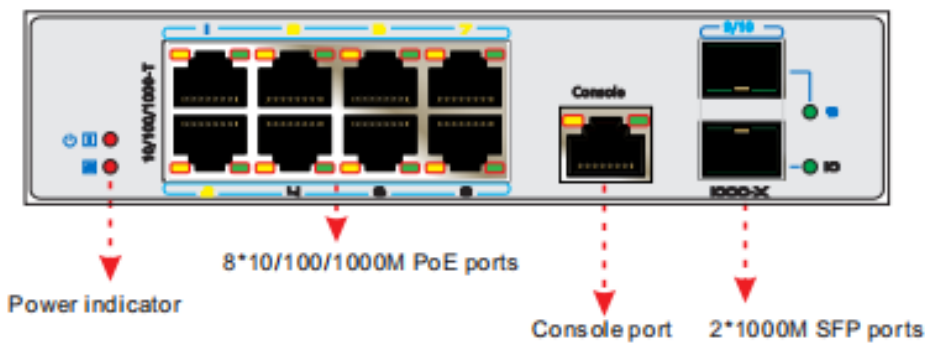
	RMON 4 grupos
	WEB (HTTP/HTTPS)
	CLI (Telnet, Console, SSHv1/v2)
	Firmware upgrade via console/web/TFTP
	Configuration Backup/Reload
	All possible configurations in the CLI must exist in the WEB interface
	LLDP
Other Features	DHCP Relay
	DHCP Client
	DHCP Snooping
	DHCP Option 82
	SNTP Client
	BOOTP Client
Maintenance	Ping and Tracert
	System log (Local and Remote)
	Memory and CPU Monitoring



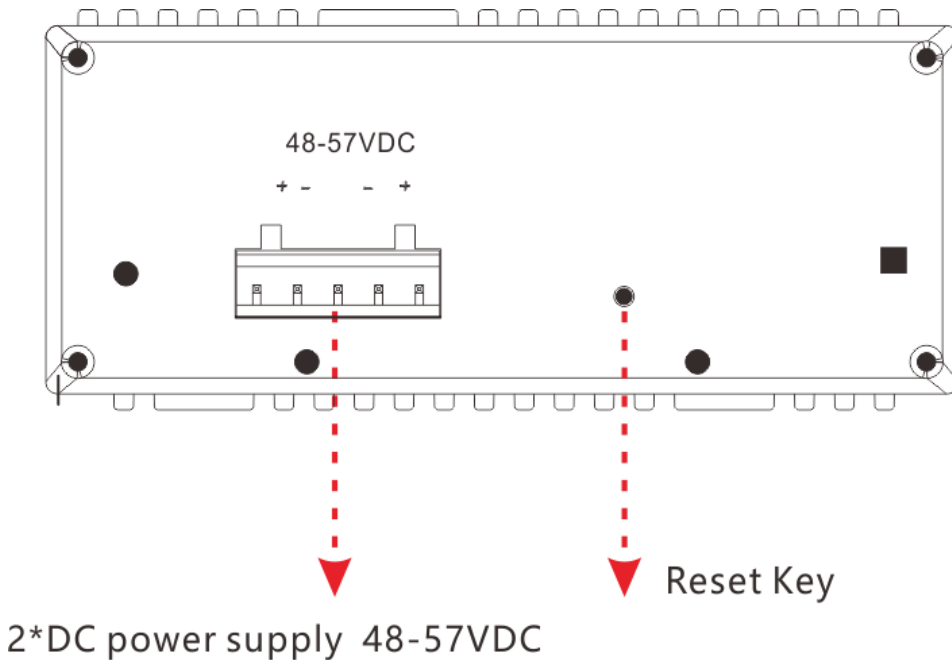
10 ports full gigabit managed Industrial PoE Switch CSIL2-0802Pi series

❖ Panel diagram

Front Panel



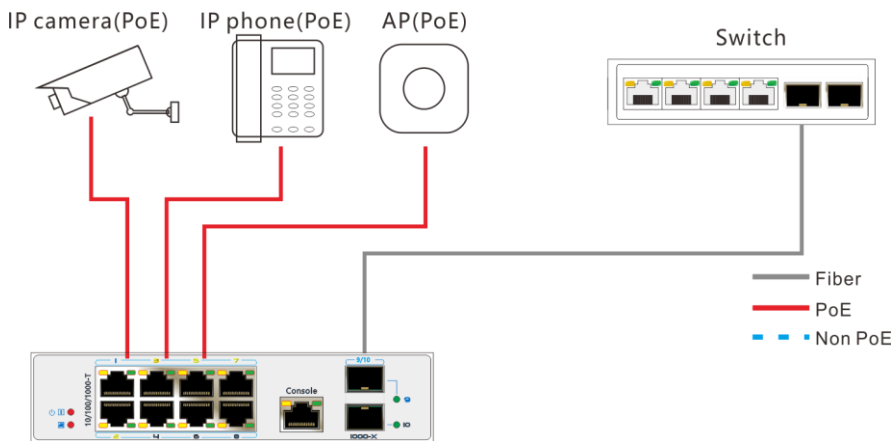
Back Panel



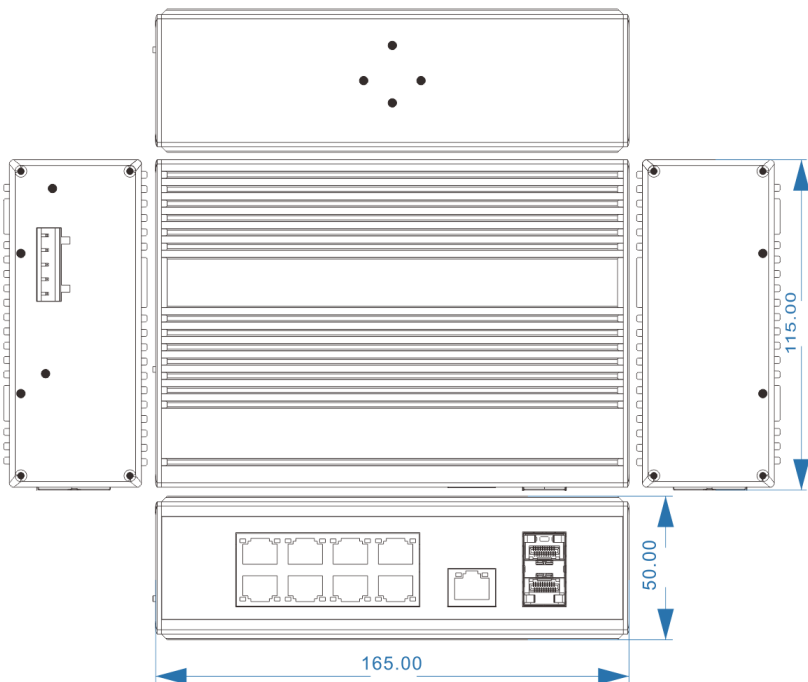


10 ports full gigabit managed Industrial PoE Switch CSIL2-0802Pi series

❖ Application



❖ Dimensions





10 ports full gigabit managed Industrial PoE Switch CSIL2-0802Pi series

❖ Order information

Model	Description
CSIL2-0802Pi	8*10/100/1000M PoE ports, 2*1000M SFP ports, 1~2 support 90W, 3~8 port support 30W; 2*48~57V DC; Support L2 management, such as QoS, VLAN, MSTP, Multi-broadcast, ports management and PoE management; 6KV surge protection, 8KV contact /15KV air ESD protection.
CSIL2-0802i	8*10/100/1000M ports, 2*1000M SFP ports; 2*12~60VDC; Support L2 management, such as QoS, VLAN, MSTP, Multi-broadcast, ports management; 6KV surge protection, 8KV contact /15KV air ESD protection.